

TIMKEN

TIMKEN® WHEEL-PAC™ FAST AND EASY TO INSTALL

68mm REPAIR KIT - SET2312

PERFORMANCE THAT'S WORTH IT

Timken bearings are engineered and tested for reliability and performance.

Integrated seal
Outboard bearing
Inboard bearing
Pre-greased

Integrated seal
Bore clip



INTEGRATED SOLUTION

- | Pre-assembled
- | Pre-greased
- | Pre-sealed
- | Pre-adjusted

EASY MOUNTING TO INSTALL:

User-friendly installation tools protect the bearings during transport and assembly.

Color-coded inboard and outboard tools reduce the risk of incorrect mounting.

Integrated seals help to avoid mounting errors and reduce assembly time.

Bore clip keeps the assembly intact and eases the hub removal process.

Easy to understand graphical fitting instructions.

MAIN APPLICATIONS

| MAKE | MODEL | POSITION |
|----------------|------------|------------|
| RENAULT TRUCKS | KERAX | Front Axle |
| | MAGNUM | Front Axle |
| | PREMIUM 2 | Front Axle |
| | FE | Front Axle |
| VOLVO TRUCK | FH | Front Axle |
| | FH 12 | Front Axle |
| | FH 16 | Front Axle |
| | FM | Front Axle |
| | FM 12 | Front Axle |
| | FM 7 | Front Axle |
| VOLVO BUS | FM 9 | Front Axle |
| | NH 12 | Front Axle |
| | 7700 | Front Axle |
| | 8500 | Front Axle |
| | 8700 | Front Axle |
| | 9700 | Front Axle |
| | 9900 | Front Axle |
| B6 | Front Axle | |

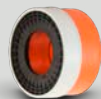
MAIN INTERCHANGE

| MAKE | OE PART NUMBER |
|----------------|----------------|
| RENAULT TRUCKS | 74 20 535 202 |
| | 74 20 535 203 |
| | 74 21 024 206 |
| | 74 21 024 208 |
| | 74 20 518 637 |
| | 74 20 967 831 |
| | 74 21 021 391 |
| | 3988673 |
| | 3988674 |
| | 3988675 |
| VOLVO | 3988830 |
| | 20382168 |
| | 20518091 |
| | 20518092 |
| | 20518093 |
| | 20518637 |
| | 20558950 |
| | 20728008 |
| | 20967831 |
| | 21021391 |

KIT COMPONENTS & ASSEMBLY

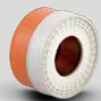
Outboard bearing:

- Dust cover (orange)
- Installation tool (white)
- Thrust disc (black)



Inboard bearing:

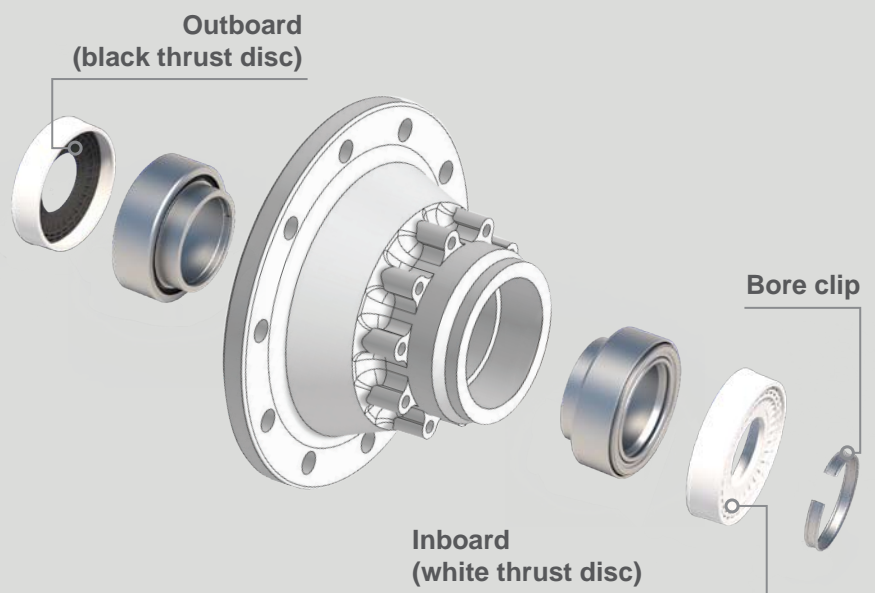
- Dust cover (orange)
- Installation tool (white)
- Thrust disc (white)



Bore clip



Fitting instructions



TIMKEN

The Timken team applies their know-how to improve the reliability and performance of machinery in diverse markets worldwide. The company designs, makes and markets high-performance mechanical components, including bearings, belts, chain, gears and related mechanical power transmission products and services.

