


The Timken Company

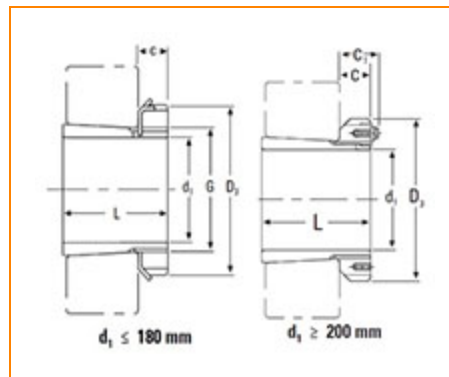
4500 Mt Pleasant St. NW

N. Canton, OH 44720

Phone: (234) 262-3000

E-Mail: CustomerCAD@timken.com • **Web site:** www.timken.com
Part Number HE2310, Metric HE/HS Adapter Sleeve for Inch Shaft

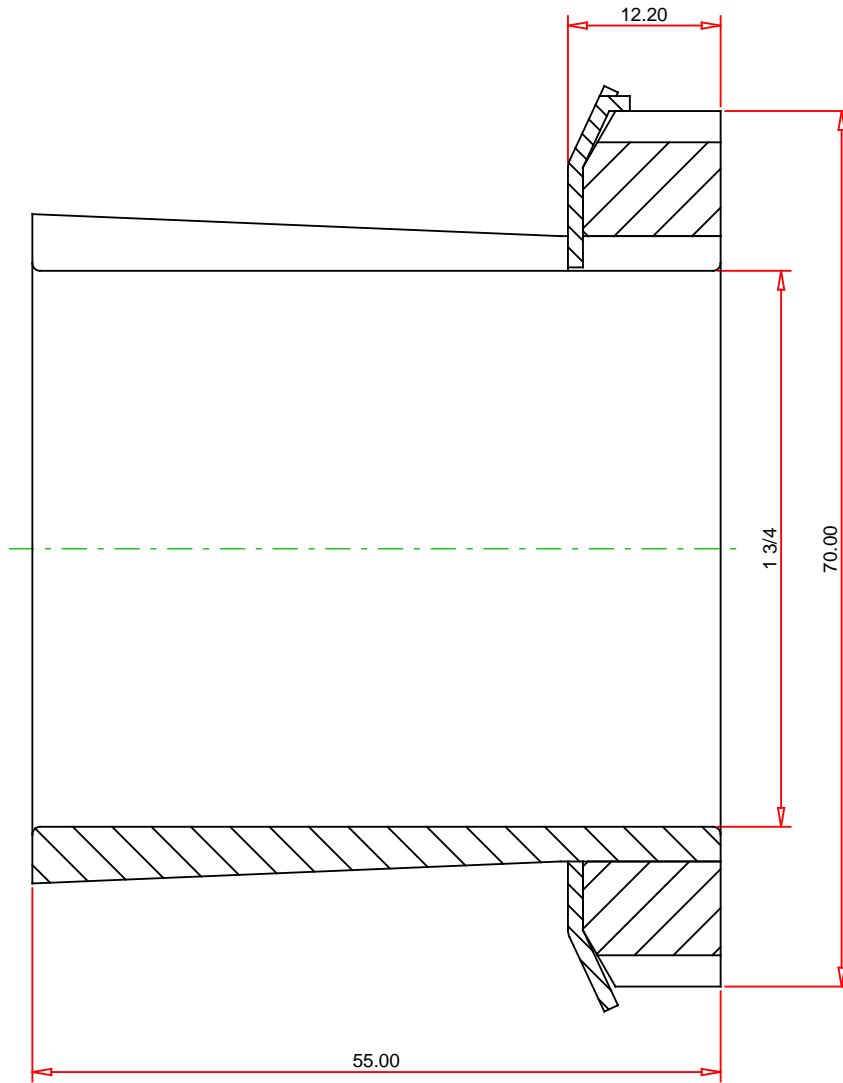
- Safe and effective tapered bore bearing assembly.
- Includes mounting sleeve, locknut and lockwasher or lockplate.
- Other dimensions may be available, consult your Timken sales representative.


Specifications

| | |
|----------------------------------|----------|
| d1 | 44.45 mm |
| L¹ | 55 mm |
| C | 12 mm |
| Thread G | M50x1.5 |
| D₃ | 70 mm |
| Locknut | KM10 |
| Lockwasher and Lockplates | MB10 |
| Appropriate Hydraulic Nut | HMV 10 |



Tolerance -0 to +0.4 mm (-0 to +1/64 in)



METRIC UNITS

TIMKEN®

HE2310
Metric HE/HS Adapter Sleeve for Inch Shaft

THE TIMKEN COMPANY
NORTH CANTON, OHIO USA

Every reasonable effort has been made to ensure the accuracy of the information contained in this writing, but no liability is accepted for errors, omissions or for any other reason.

FOR DISCUSSION ONLY