


The Timken Company

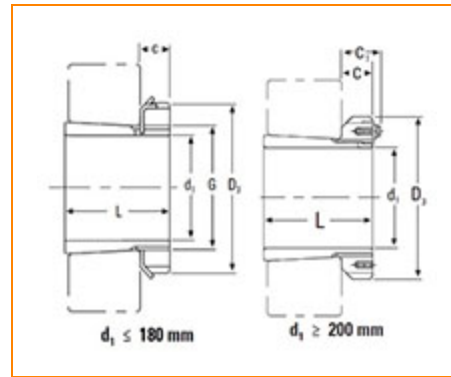
4500 Mt Pleasant St. NW

N. Canton, OH 44720

Phone: (234) 262-3000

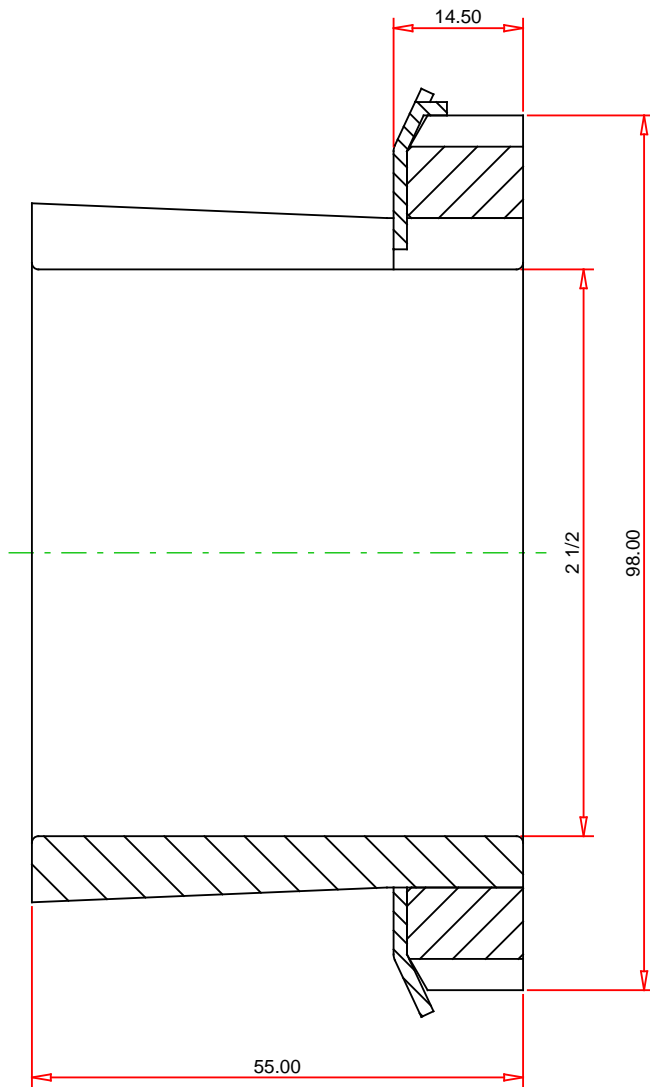
E-Mail: CustomerCAD@timken.com • **Web site:** www.timken.com
Part Number HE315, Metric HE/HS Adapter Sleeve for Inch Shaft

- Safe and effective tapered bore bearing assembly.
- Includes mounting sleeve, locknut and lockwasher or lockplate.
- Other dimensions may be available, consult your Timken sales representative.


Specifications

d1	2.5 in 63.5 mm
L¹	55 mm
C	14.5 mm
Thread G	M75x2
D₃	98 mm
Locknut	KM15
Lockwasher and Lockplates	MB15
Appropriate Hydraulic Nut	HMV 15


¹ Tolerance -0 to +0.4 mm (-0 to +1/64 in)



METRIC UNITS

TIMKEN®

HE315
Metric HE/HS Adapter Sleeve for Inch Shaft

THE TIMKEN COMPANY
NORTH CANTON, OHIO USA