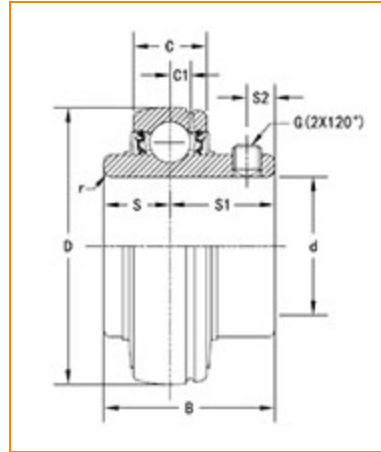


TIMKEN**The Timken Company**

4500 Mt Pleasant St. NW

N. Canton, OH 44720

Phone: (234) 262-3000**E-Mail:** CustomerCAD@timken.com • **Web site:** www.timken.com**Part Number UC205-16, UC 200 Wide Inner Ring Ball Bearings - Set Screw Locking**
[Specifications](#) | [Dimensions](#) | [Basic Load Ratings](#)
Specifications

Bore Type	Cylindrical bore
Bearing Type	Ball Bearing
Shaft Size d	1 in
Locking Device	Set Screw Locking

Dimensions

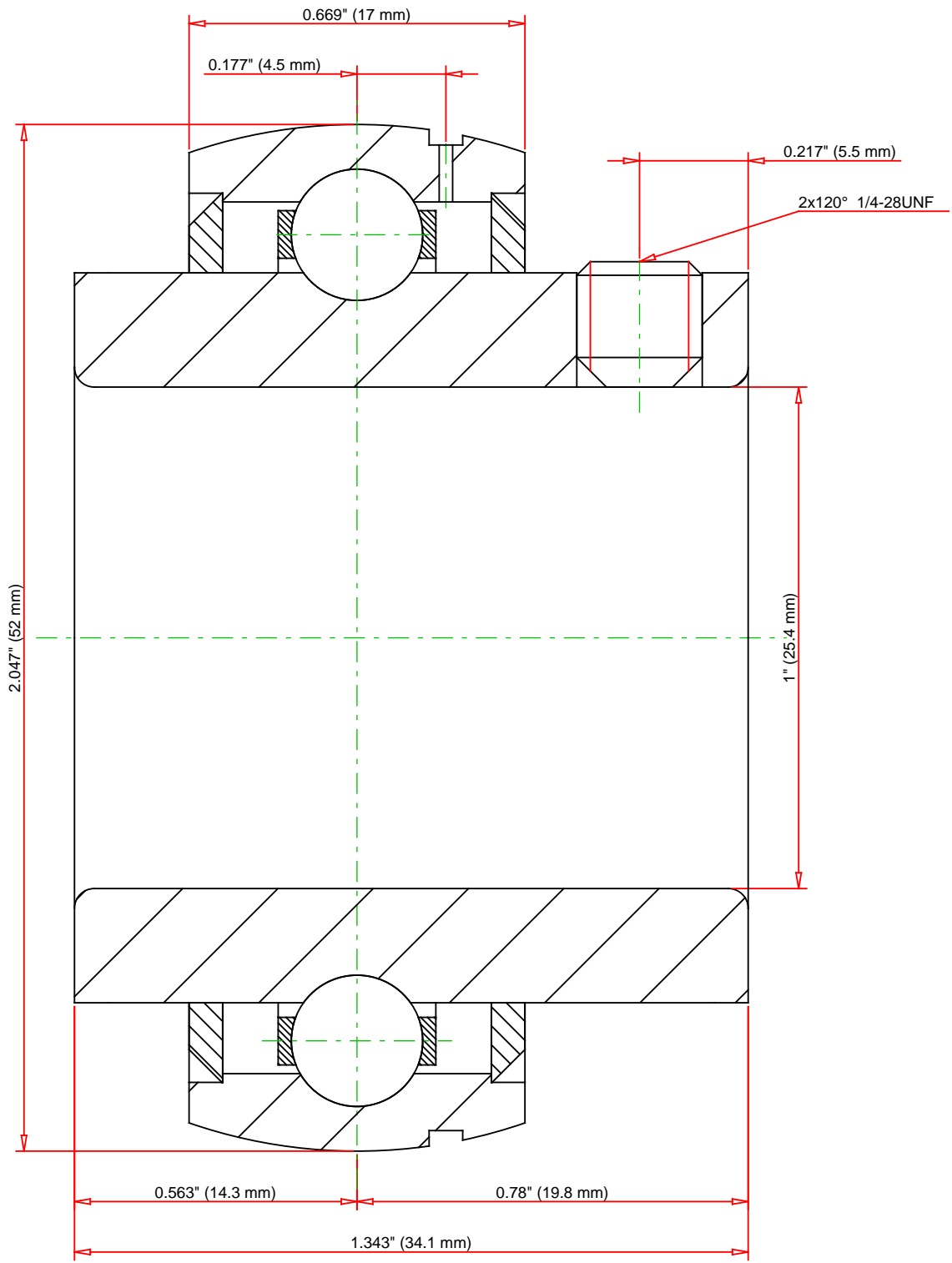
Outside Diameter D	2.047 in 52 mm
Outside Ring Width C	0.669 in 17 mm
Fillet Radius r	0.039 in 1 mm

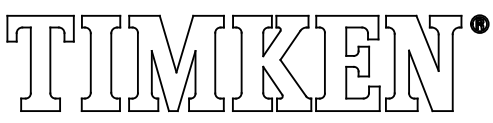


Groove Position C1	0.177 in 4.5 mm
Center of Bearing from End S	0.563 in 14.3 mm
Dimension S1	0.780 in 19.8 mm
Set Screw Distance S2	0.217 in 5.5 mm
Set Screw Size	1/4-28UNF
Number of Set Screws	2
Angle between Set Screws	120 °

Basic Load Ratings

Static Load Rating	1765 lbf 7850 N
Dynamic Load Rating	3147 lbf 14000 N



Weight	0.5 lb	0.2 kg		UC205-16 UC 200 Wide Inner Ring Ball Bearings - Set Screw Locking		
			Basic Load Ratings - C_r		3147 lbf	14000 N
			Load Ratings - C_{0r}		1765 lbf	7850 N
Every reasonable effort has been made to ensure the accuracy of the information contained in this writing, but no liability is accepted for errors, omissions or for any other reason.				FOR DISCUSSION ONLY		