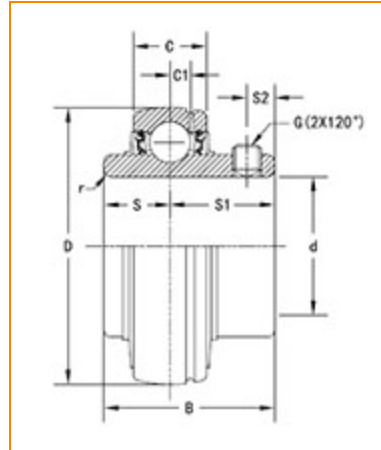


TIMKEN**The Timken Company**

4500 Mt Pleasant St. NW

N. Canton, OH 44720

Phone: (234) 262-3000**E-Mail:** CustomerCAD@timken.com • **Web site:** www.timken.com**Part Number UC212-39, UC 200 Wide Inner Ring Ball Bearings - Set Screw Locking**
[Specifications](#) | [Dimensions](#) | [Basic Load Ratings](#)
Specifications

Bore Type	Cylindrical bore
Bearing Type	Ball Bearing
Shaft Size d	2 7/16 in
Locking Device	Set Screw Locking

Dimensions

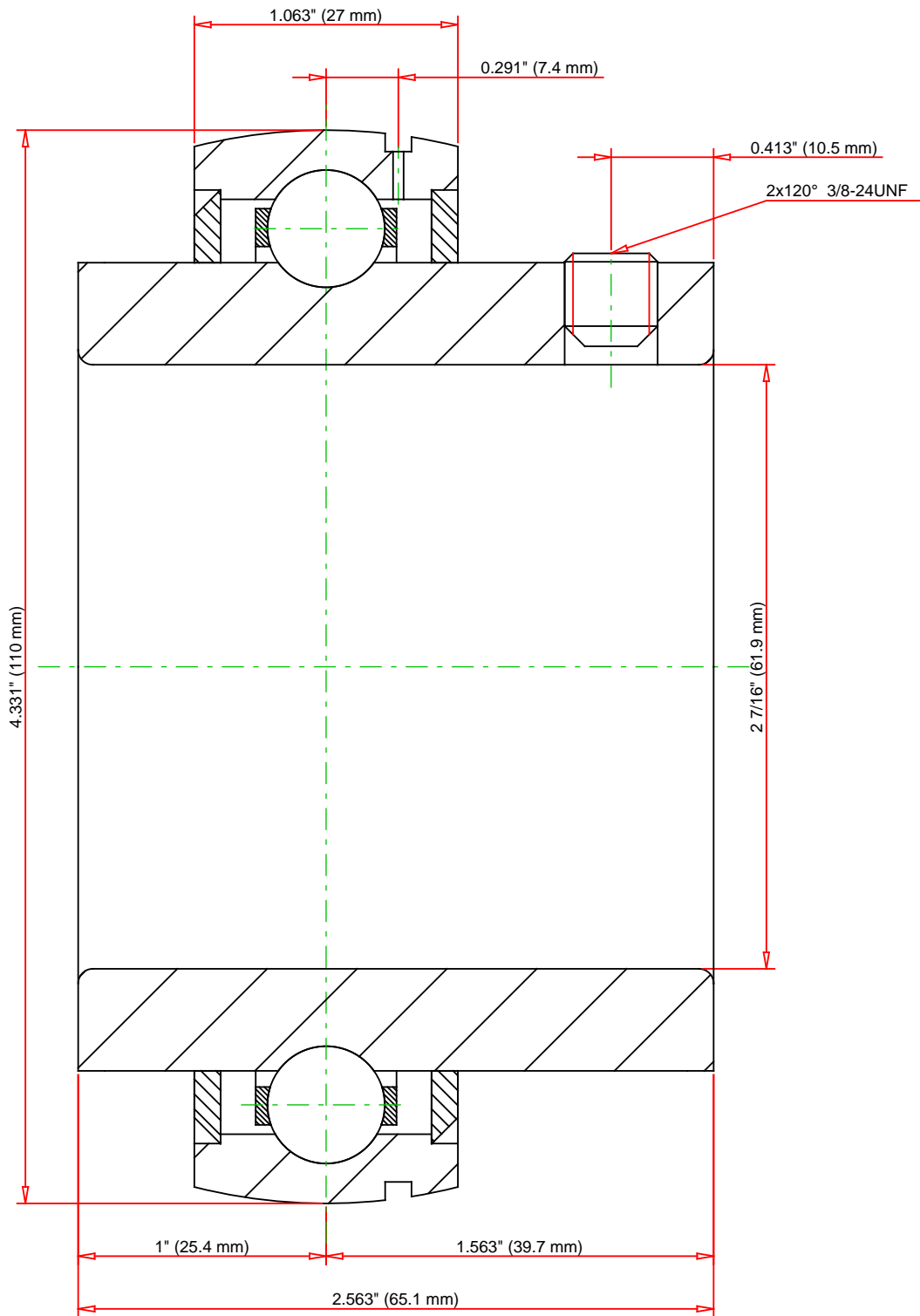
Outside Diameter D	4.331 in 110 mm
Outside Ring Width C	1.0630 in 27 mm
Radius r	0.059 in 1.5 mm



Groove Position C1	0.291 in 7.4 mm
Center of Bearing from End S	1 in 25.4 mm
Dimension S1	1.563 in 39.7 mm
Set Screw Distance S2	0.413 in 10.5 mm
Set Screw Size	3/8-24UNF
Number of Set Screws	2
Angle between Set Screws	120 °

Basic Load Ratings

Static Load Rating	8138 lbf 36200 N
Dynamic Load Rating	11780 lbf 52400 N



Weight	3.4 lb	1.5 kg
--------	--------	--------

TIMKEN[®]

THE TIMKEN COMPANY
NORTH CANTON, OHIO USA

UC212-39

UC 200 Wide Inner Ring Ball Bearings - Set Screw Locking

Basic Load Ratings - C _r	11780 lbf	52400 N
Load Ratings - C _{0r}	8138 lbf	36200 N

Every reasonable effort has been made to ensure the accuracy of the information contained in this writing, but no liability is accepted for errors, omissions or for any other reason.

FOR DISCUSSION ONLY