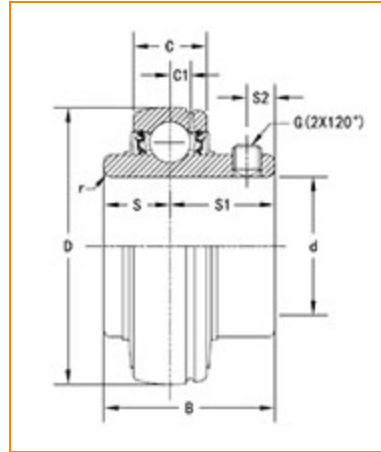


TIMKEN**The Timken Company**

4500 Mt Pleasant St. NW

N. Canton, OH 44720

Phone: (234) 262-3000**E-Mail:** CustomerCAD@timken.com • **Web site:** www.timken.com**Part Number UC218-56, UC 200 Wide Inner Ring Ball Bearings - Set Screw Locking**
[Specifications](#) | [Dimensions](#) | [Basic Load Ratings](#)
Specifications

Bore Type	Cylindrical bore
Bearing Type	Ball Bearing
Shaft Size d	3 1/2 in
Locking Device	Set Screw Locking

Dimensions

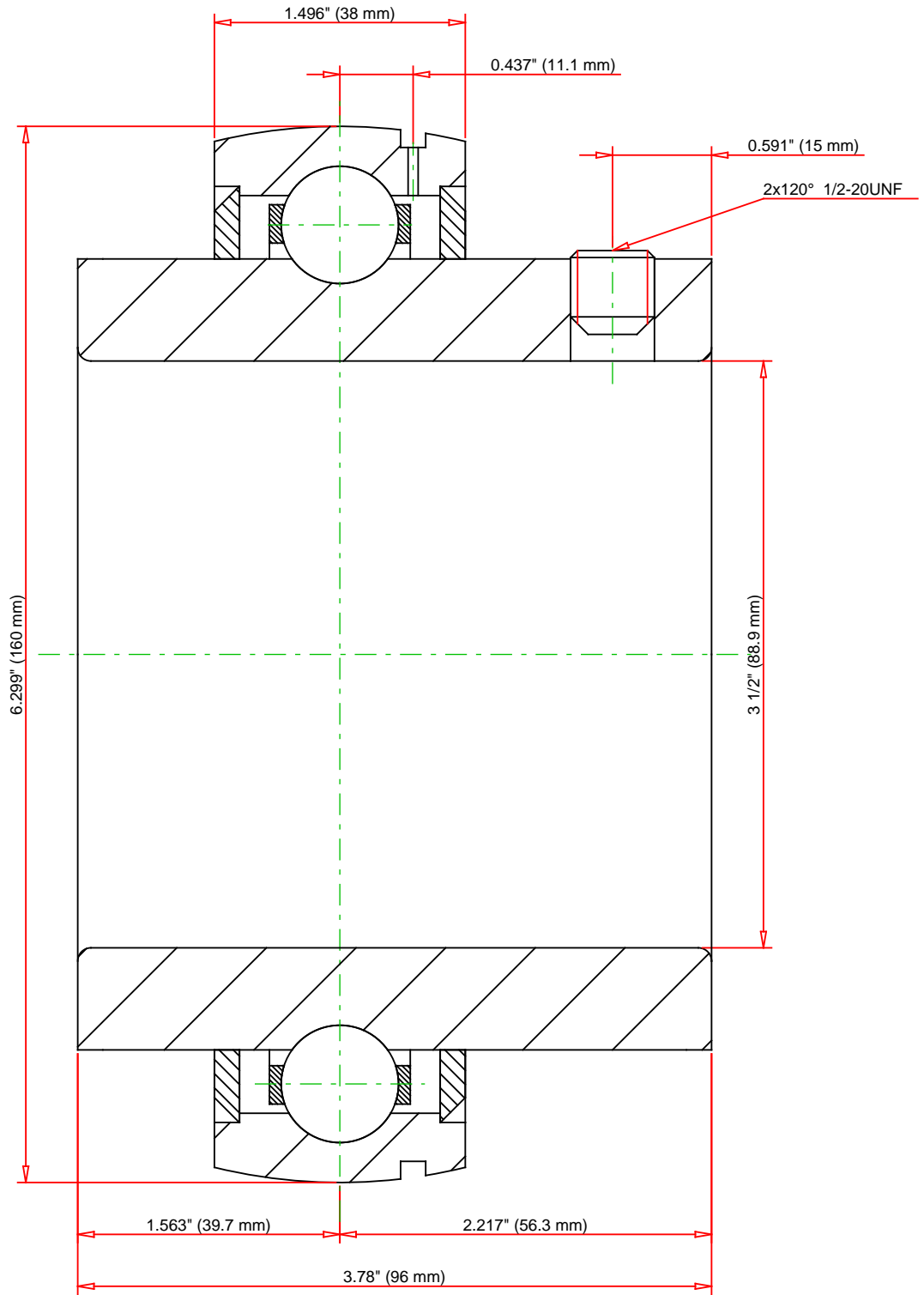
Outside Diameter D	6.299 in 160 mm
Outside Ring Width C	1.496 in 38 mm
Radius r	0.079 in 2 mm



Groove Position C1	0.437 in 11.1 mm
Center of Bearing from End S	1.563 in 39.7 mm
Dimension S1	2.217 in 56.3 mm
Set Screw Distance S2	0.591 in 15 mm
Set Screw Size	1/2-20UNF
Number of Set Screws	2
Angle between Set Screws	120 °

Basic Load Ratings

Static Load Rating	16074 lbf 71500 N
Dynamic Load Rating	21604 lbf 96100 N



Weight	9.8 lb	4.5 kg
--------	--------	--------

TIMKEN®

THE TIMKEN COMPANY
NORTH CANTON, OHIO USA

UC218-56

UC 200 Wide Inner Ring Ball Bearings - Set Screw Locking

Basic Load Ratings - C _r	21604 lbf	96100 N
Load Ratings - C _{0r}	16074 lbf	71500 N

Every reasonable effort has been made to ensure the accuracy of the information contained in this writing, but no liability is accepted for errors, omissions or for any other reason.

FOR DISCUSSION ONLY