



The Timken Company

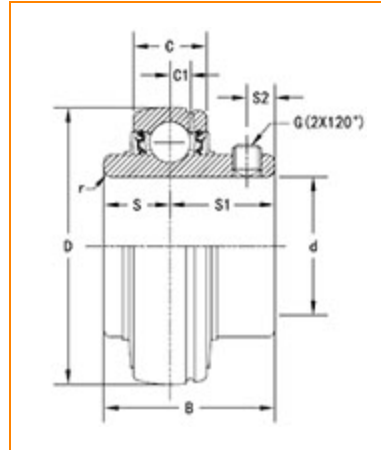
4500 Mt Pleasant St. NW

N. Canton, OH 44720

Phone: (234) 262-3000

E-Mail: CustomerCAD@timken.com • **Web site:** www.timken.com

Part Number UC202, UC 200 Wide Inner Ring Ball Bearings - Set Screw Locking



[Specifications](#) | [Dimensions](#) | [Basic Load Ratings](#)

Specifications

Bore Type	Cylindrical bore
Bearing Type	Ball Bearing
Shaft Size d	15 mm
Locking Device	Set Screw Locking

Dimensions

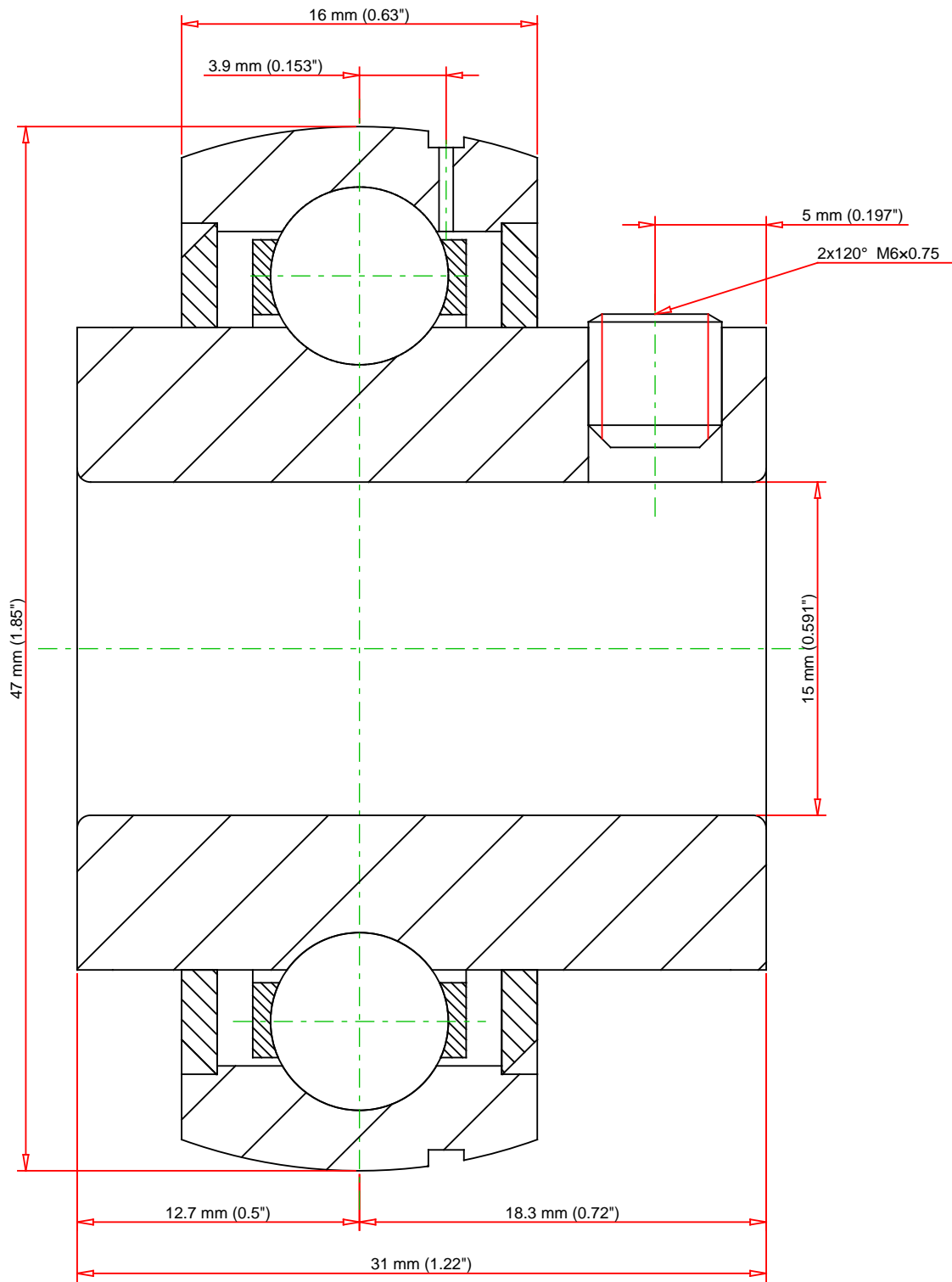
Outside Diameter D	1.85 in 47 mm
Outside Ring Width C	0.630 in 16 mm
Radius r	0.024 in 0.6 mm



Groove Position C1	0.153 in 3.9 mm
Center of Bearing from End S	0.5 in 12.7 mm
Dimension S1	0.720 in 18.3 mm
Set Screw Distance S2	0.197 in 5 mm
Set Screw Size	M6×0.75
Number of Set Screws	2
Angle between Set Screws	120 °

Basic Load Ratings

Static Load Rating	1495 lbf 6650 N
Dynamic Load Rating	2878 lbf 12800 N



Weight	0.5 lb	0.2 kg
--------	--------	--------

TIMKEN®

THE TIMKEN COMPANY
NORTH CANTON, OHIO USA

UC202

UC 200 Wide Inner Ring Ball Bearings - Set Screw Locking

Basic Load Ratings - C _r	2878 lbf	12800 N
Load Ratings - C _{0r}	1495 lbf	6650 N

Every reasonable effort has been made to ensure the accuracy of the information contained in this writing, but no liability is accepted for errors, omissions or for any other reason.

FOR DISCUSSION ONLY